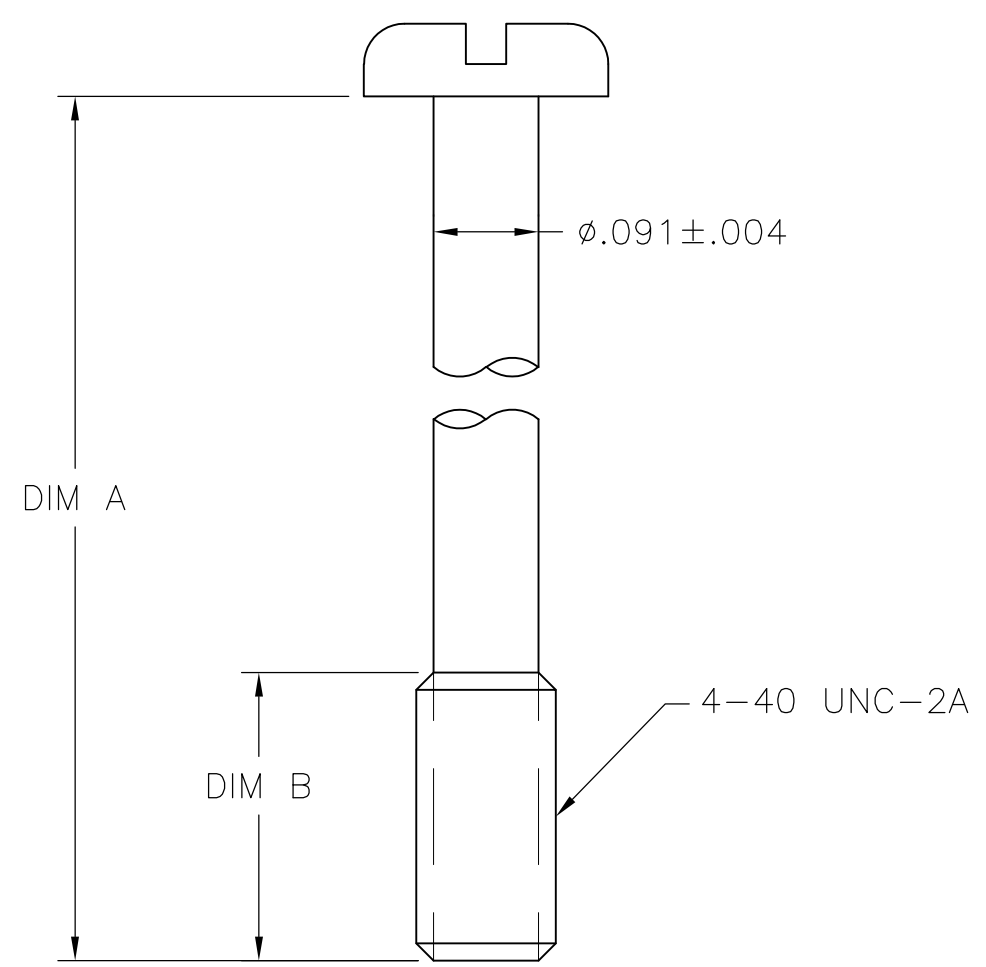


THIS DRAWING IS UNPUBLISHED. RELEASED FOR PUBLICATION
 © COPYRIGHT - By - ALL RIGHTS RESERVED.

| | | | | | | | |
|-----|------|-----------|-----|---------------------------|---------|-----|------|
| LOC | DIST | REVISIONS | | | | | |
| GP | 00 | P | LTR | DESCRIPTION | DATE | DWN | APVD |
| | | P | | REVISED PER ECO-11-005033 | 23MAR11 | RK | HMR |

△ 1 MATERIAL:
ZINC PLATED STEEL.



| | | |
|-------|-------|-----------|
| .20 | 1.00 | 5229911-4 |
| .13 | 1.75 | 5229911-3 |
| .25 | .62 | 5229911-2 |
| .25 | .75 | 5229911-1 |
| DIM B | DIM A | PART NO |

| | | | | | | |
|---|--|---------------------------------|----------------------------|-----------|------------|---------------|
| THIS DRAWING IS A CONTROLLED DOCUMENT. | | DWN B. MCMASTER 27JULY05 | STE TE Connectivity | | | |
| DIMENSIONS: INCHES | | CHK W. MILLHIMES 27JULY05 | | | | |
| TOLERANCES UNLESS OTHERWISE SPECIFIED: | | APVD M. WALMSLEY 27JULY05 | NAME | | | |
| 0 PLC ± - 1 PLC ± - 2 PLC ± .02 3 PLC ± - 4 PLC ± - ANGLES ± - | | PRODUCT SPEC | SCREW, PAN HD, CAPTIVE | | | |
| MATERIAL | | APPLICATION SPEC | SIZE | CAGE CODE | DRAWING NO | RESTRICTED TO |
| △ 1 | | FINISH | A3 00779 C-5229911 | | - | |
| △ 1 | | CUSTOMER DRAWING | | SCALE | SHEET | REV |
| | | | | 6:1 | 1 OF 1 | P |